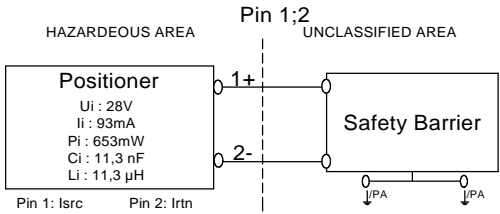


- 1. Input signal
- 2. Input signal
- 3. Switch 1 NO
- 4. Switch 1 NC
- 5. Switch 1 COM
- 6. Switch 2 NO
- 7. Switch 2 NC
- 8. Switch 2 COM
- 9. 4-20 mA +
- 10. 4-20 mA -
- 11. Alarm Output +
- 12. Alarm Output -

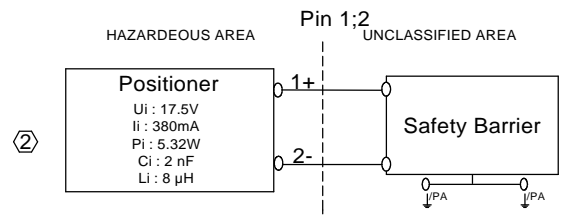
4-20mA input signal

Model no: D31xx-xxxxxx-x4xx , D31xx-xxxxxx-x5xx,



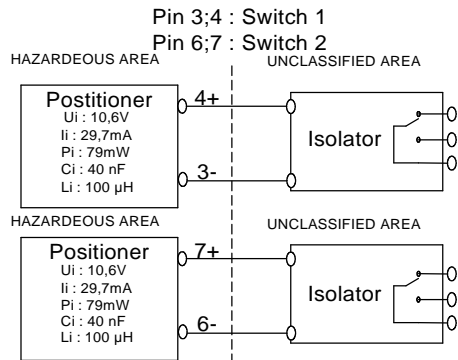
Profibus PA / Fieldbus Foundation input signal FISCO field device

Model no: D31xx-xxxxxx-xPxx , D31xx-xxxxxx-xFxx,



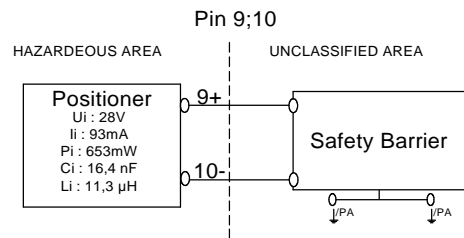
NAMUR switches

Model no: D31xx-xxxxxx-xxNx , D31xx-xxxxxx-xx4x , D31xx-xxxxxx-xx5x , D31xx-xxxxxx-xx6x



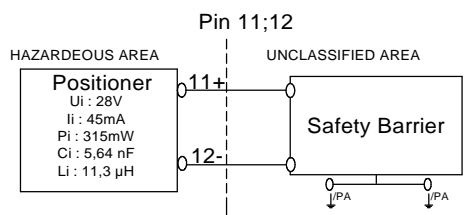
4-20 mA Output

Model no: D31xx-xxxxxx-xxTx



Alarm

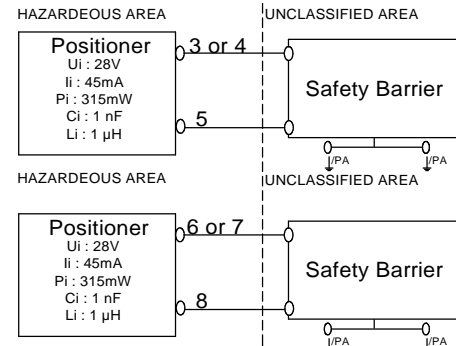
Model no: D31xx-xxxxxx-xxTx



Mechanical or Proximity switches

Model no: D31xx-xxxxxx-xxSx , D31xx-xxxxxx-xxPx

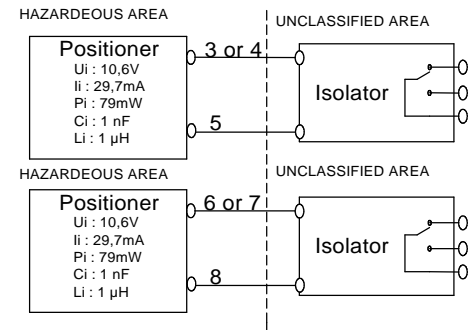
Normally Open Pin 3;5 : Switch 1
Pin 6;8 : Switch 2
Normally Closed Pin 4;5 : Switch 1
Pin 7;8 : Switch 2



Mechanical or Proximity switches

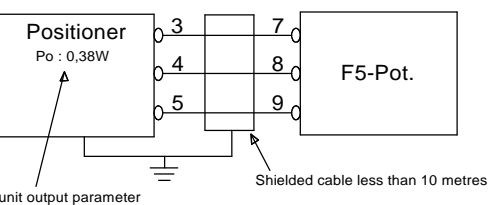
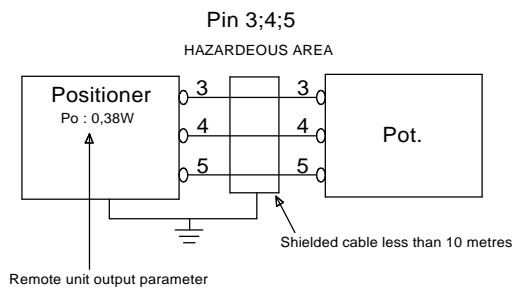
Model no: D31xx-xxxxxx-xxSx , D31xx-xxxxxx-xxPx

Normally Open Pin 3;5 : Switch 1
Pin 6;8 : Switch 2
Normally Closed Pin 4;5 : Switch 1
Pin 7;8 : Switch 2



Remote unit

Model no: D31xx-Mxxxxx-xxxx , D31xx-Pxxxxx-xxxx
D31xx-Qxxxxx-xxxx , D31xx-Rxxxxx-xxxx



Allowed F5-pot. units are :
F5ISxx-xxxPOT-xx-PVxxx-x
F5ISxx-xxxP18-xx-PVxxx-x

It is only allowed to connect the Pot. or the F5-pot. unit to the positioners connectors 3, 4 and 5. The connection requires a shielded cable less than 10 metres or less than 30 feet.

Remote unit additional requirements for

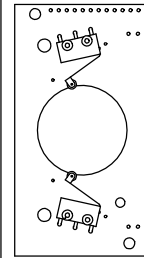
Model no: D31xx-Mxxxxx-xPxx , D31xx-Pxxxxx-xPxx
D31xx-Qxxxxx-xPxx , D31xx-Rxxxxx-xPxx
D31xx-Mxxxxx-xFxx , D31xx-Pxxxxx-xFxx
D31xx-Qxxxxx-xFxx , D31xx-Rxxxxx-xFxx

The cable used must be a type A or B according to EN 60079-25.
The cable must have a temperature range of at least -30°C to +120°C.
The cable must be mechanically protected.

Transmitter Board Options

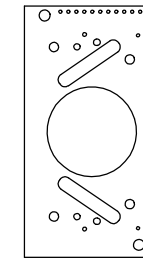
Model no: D31xx-xxxxxx-xxSx

3-As81M
Mechanical Sw,+
4-20 mA Output



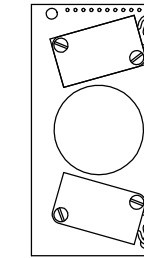
Model no: D31xx-xxxxxx-xxPx

3-As81P
Proximity Sw,+
4-20 mA Output



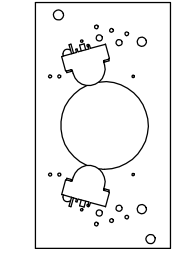
Model no: D31xx-xxxxxx-xxNx

3-As81N
Namur Sw,+
4-20 mA Output



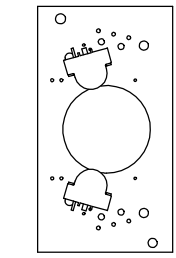
Model no: D31xx-xxxxxx-xx4x

3-As81D4
Slotted Namur Sw,+
4-20 mA Output



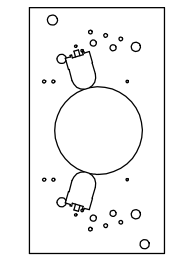
Model no: D31xx-xxxxxx-xx5x

3-As81D5
Slotted Namur Sw,+
4-20 mA Output



Model no: D31xx-xxxxxx-xx6x

3-As81D6
Slotted Namur Sw,+
4-20 mA Output



Remove cover and innercover(see manual), visually verify Transmitter Board option.

Instructions for model numbers beginning with D3I In this document also applies to model numbers beginning with D3Y. ②

Warnings:

Substitution of components may impair suitability for hazardous (classified) locations. Do not disconnect equipment unless area is known to be non-hazardous. To prevent ignition of flammable or combustible atmospheres, disconnect power before servicing, or; read, understand and adhere to the manufacturer's live maintenance procedures.

Tested according to withstand dielectric strength requirement IEC EN 60079-11 6.3.12

Schedule drawing
No modification permitted without the consent of the technical body

PART NO.	PCS	DESCRIPTION	MATERIAL	DIMENSION	ANNOTATION
		Control Drawing	-	-	-
HOLE TOL.		UNSPECIFIED TOLERANCES ACCORDING TO:	SURFACE	PROJECTION EUROPA	-
DRW BY	LRW	APPR. BY	SCALE	DATE	120613
DRAWING NO. 3-86C					
PALMSTIERNA INTERNATIONAL AB					
KORTA GATAN 9 SE-171 54 SOLNA SWEDEN - Tel: +46(0)8 555 106 00-Fax: +46(0)8 555 106 01 - www.pmv.ru					

REV.	DESCRIPTION	DATE	SIG.
1	Document renamed and D20 information removed	2012-06-13	LRW
2	D3Y added, additional remote instructions added, FISCO PI corrected	2012-09-06	LRW

This document must not be copied without our written permission and the contents there of must not be imported to a third party nor be used for any unauthorized purpose. Contention will be prosecuted.