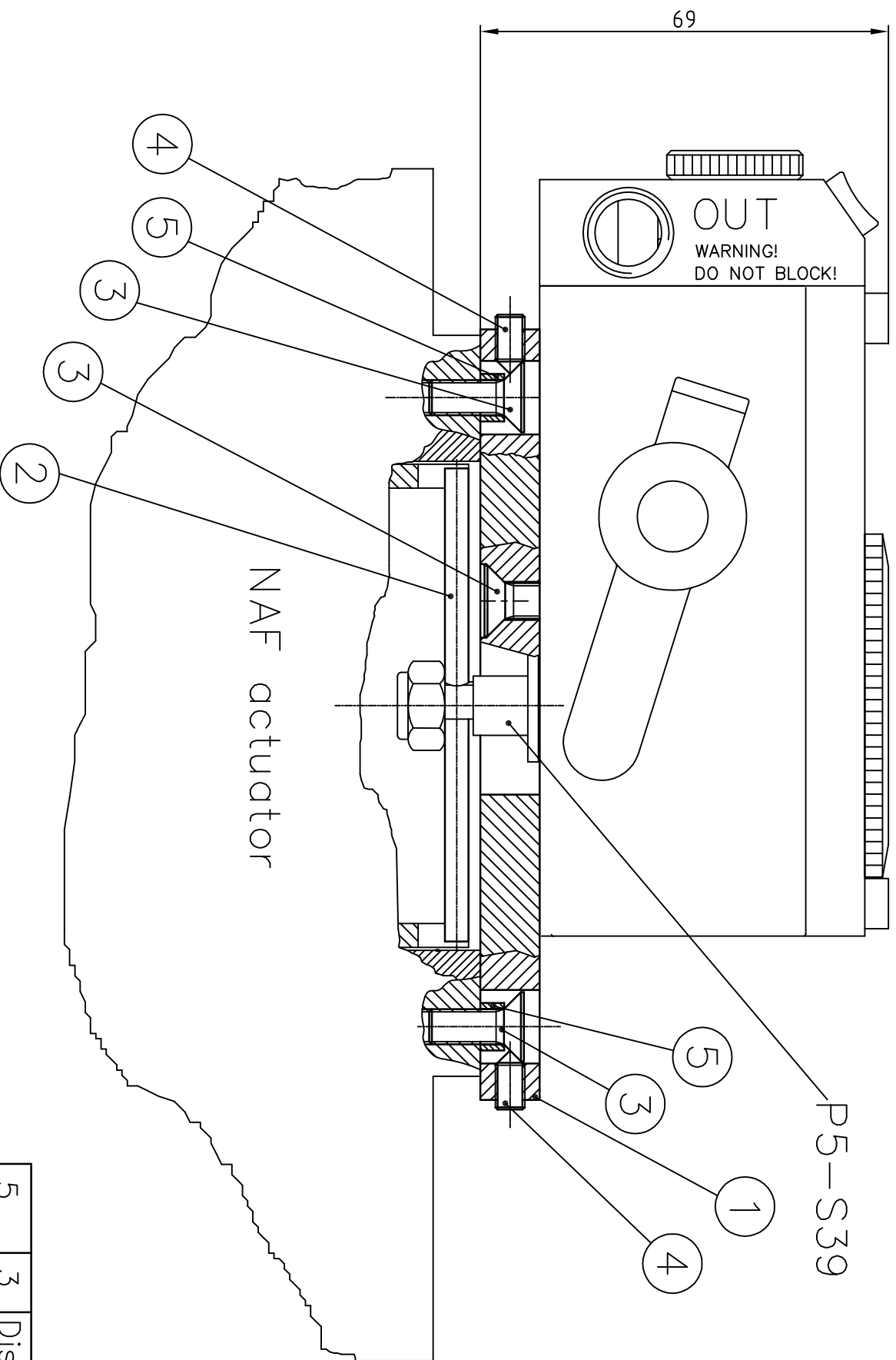


REV.	MODIFICATION	DATE	MOD.BY
1	Redesigned.	080129	MRn



Driver shafts

NAF- Actuator	PMV P/N	Length
791290-0	23317-A	45,5 mm
791290-1	23317-A	45,5 mm
791290-2	23317-B	65 mm
791290-3	23317-C	79 mm
791290-4	23317-D	98 mm
791290-5	23317-D	98 mm

5	3	Distance	32314			
4	3	Set screw	32018	S6SS 5x10 A2/A4		
3	7	Screw	32017	MF6S 6x16 A2/A4		
2	1	Driver Shaft	23317-(*)			
1	1	Mount.plate bottom	29789			
		Mountingkit				

PART NO.	PCS	DESCRIPTION	MATERIAL	DIMENSION	ANNOTATION
HOLE TOL.		UNSPECIFIED TOLERANCES ACCORDING TO:	SURFACE		

FLOWSERVE
PMV Positioners

PMV mountingkit for NAF actuators 0-2

PALMSTIERNA INTERNATIONAL AB

DRW BY MER	APPR. BY	SCALE 1:1	DATE 020523
DRAWING NO. 29790			

Non related drawing
Modification permitted without reference
to the authorized person