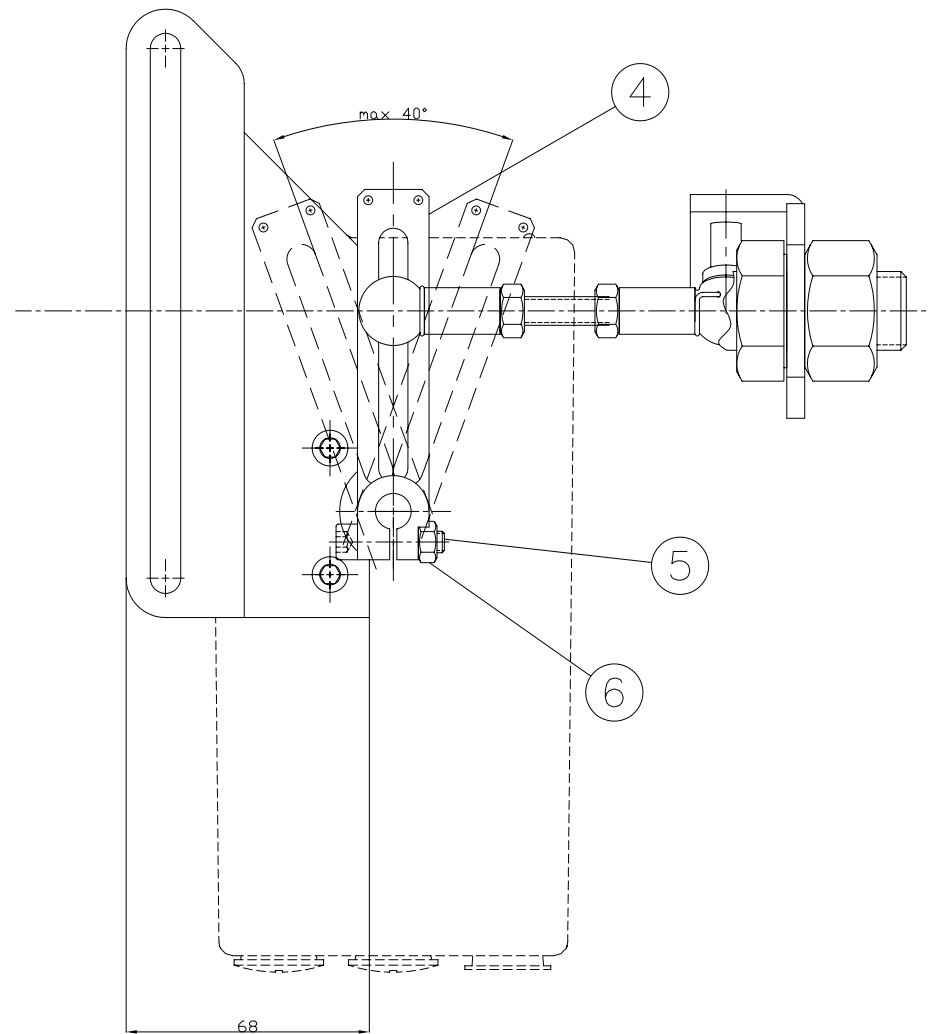
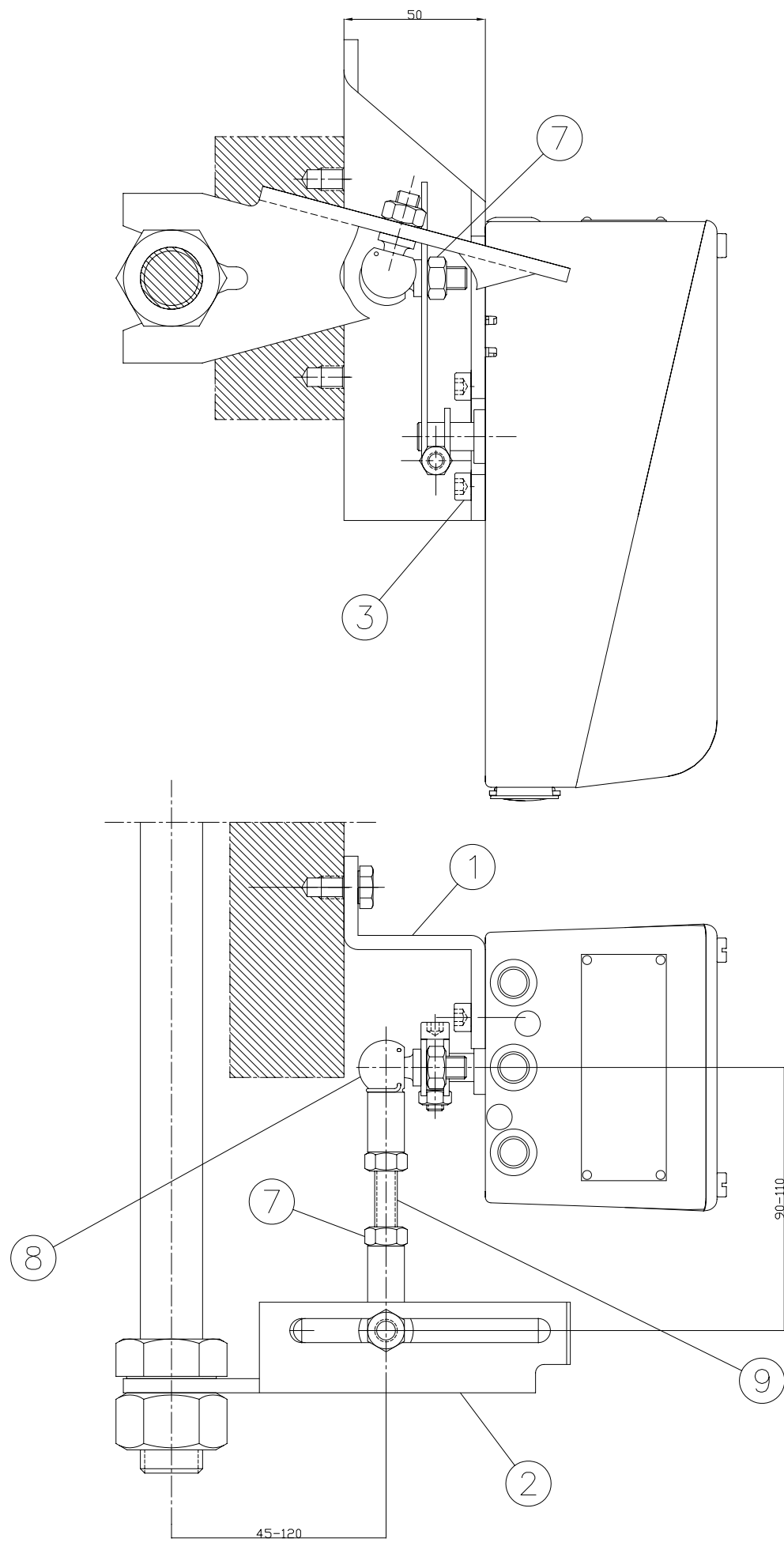


This document must not be copied without our permission and the contents thereof must not be reported to a third party nor be used for any unauthorized purpose. Contravention will be prosecuted.



|   |   |                      |       |                 |
|---|---|----------------------|-------|-----------------|
| 9 | 1 | Pin, screwed         | 29897 | M8x60 A2/A4     |
| 8 | 2 | Toggle link          | 29896 |                 |
| 7 | 4 | Nut                  |       | M6M M8 A2/A4    |
| 6 | 1 | Nut                  |       | M6M M6 A2/A4    |
| 5 | 1 | Screw                |       | MC6S 6x25 A2/A4 |
| 4 | 1 | Arm, short           | P3-65 |                 |
| 3 | 2 | Screw                |       | MC6S 6x12 A2/A4 |
| 2 | 1 | Bracket, piston stem | 29895 |                 |
| 1 | 1 | Bracket              | 29894 |                 |

| DET.NR.  | ANT.                       | BENÄMNING | MATERIAL | DIMENSION         | ANM.   |
|--|----------------------------|-----------|----------|-------------------|--------|
| Nuovo Piegnone   |                            |           |          |                   |        |
| HAL. TOL.  | EJ UTSÄTTA TOLERANSER ENL. |           | YTA      | PROJEKTION EUROPA |        |
| H13  | ISO 2768-m                 |           | Ra:6,3   |                   |        |
|  |                            |           |          | SKALA             | DATUM  |
| <b>PMV Positioner</b><br>PALMSTIERNAS INSTRUMENT AB<br>KORTA GATAN 9 SE-171 54 SÖLNA - TEL: +46 (0)8 555 106 00 FAX: +46 (0)8 555 106 01 |                            |           |          | 1:1               | 021002 |
|  |                            |           |          | RITNR             | 29864  |