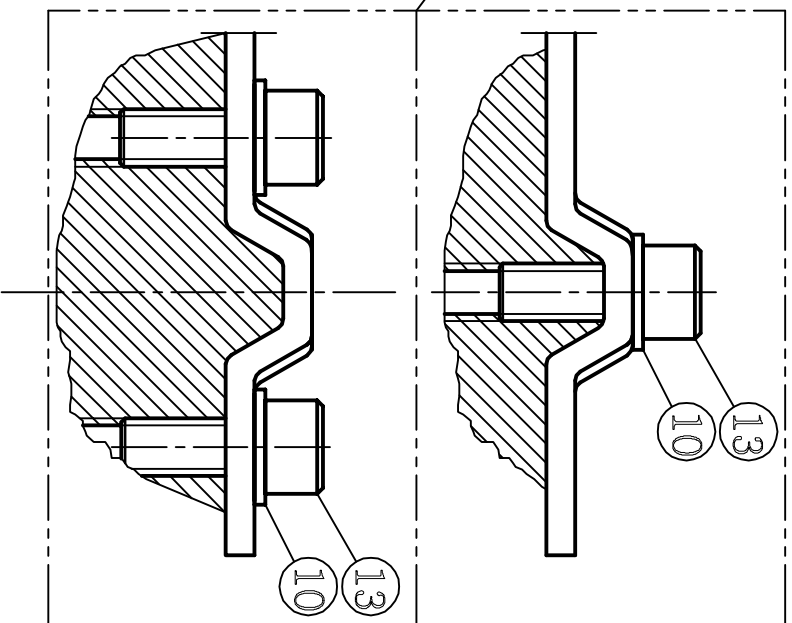
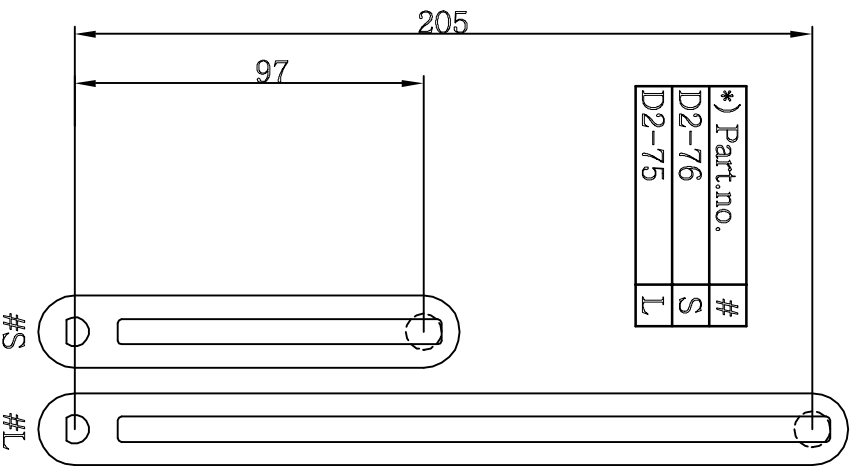


Use the table below to adjust the carrier.

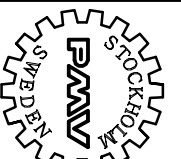
Adjustments Rmin (S= Cylinder Stroke)

S	30°	#	45°	#	60°	#	90°	#
10	19.3	S/L	-	-	-	-	-	-
16	30.9	S/L	20.9	S/L	16.0	S/L	-	-
20	38.5	S/L	26.1	S/L	20.0	S/L	-	-
30	58.0	S/L	39.2	S/L	30.0	S/L	21.2	S/L
32	61.8	S/L	41.8	S/L	32.0	S/L	22.6	S/L
40	78.3	S/L	52.3	S/L	40.0	S/L	28.3	S/L
50	96.6	S/L	65.3	S/L	50.0	S/L	35.2	S/L
55	106.3	L	71.9	S/L	55.0	S/L	38.9	S/L
65	125.6	L	84.9	S/L	65.0	S/L	46.0	S/L
75	144.9	L	98.0	S/L	75.0	S/L	53.0	S/L
80	154.6	L	104.5	L	80.0	S/L	56.6	S/L
100	193.2	L	130.7	L	100.0	L	70.7	S/L
125	-	-	150.9	L	125.0	L	88.4	L
150	-	-	-	-	150.0	L	106.0	L
175	-	-	-	-	175.0	L	123.5	L
200	-	-	-	-	200.0	L	141.4	L
205	-	-	-	-	205.0	L	145.0	L
225	-	-	-	-	-	-	159.1	L
250	-	-	-	-	-	-	176.8	L
275	-	-	-	-	-	-	194.5	L
290	-	-	-	-	-	-	205.0	L

*) Part.no.	#
D2-76	S
D2-75	L



13	4	Screw		MC6S 8x20 A2/A4
12	2	Screw		MC6S 6x12 A2/A4
11	2	Screw		MC6S 6x10 A2/A4
10	4	Washer		FBB 8,2 DIN 127 A2/A4
9	4	Nut		M6M 8 A2/A4
8	2	U-bolt		M8-43-45.5 A2/A4
7	5	Washer		FBB 6,1 DIN 127 A2/A4
6	1	Nut		M6M 6 A2/A4
5	1	Carrier	30167	
4	1	Locking Nut		M8x1 DIN 985 A2/A4
3	1	Lever Arm	*)	Optional short or long.
2	1	Bracket	28200	
1	1	Bracket	28204	
		Mountingkit		
DET.NR	ANT.	BENÄMNING	MATERIAL	DIMENSION
HAL. TOL.		BJ UTSÄTTA TOLERANSER ENL.	YTA	ANM.


PMV mountingkit for D2/D3/P5
 PALMSTIERNAS INSTRUMENT AB
 KORTA GATAN 9 SE-171 54 SOLNA - TEL: +46 (0)8 555 106 00 FAX: +46 (0)8 555 106 01
 RETN.NR. **30168(S/L)**
 RTD. GODK. SKALA. DATUM. **030804**