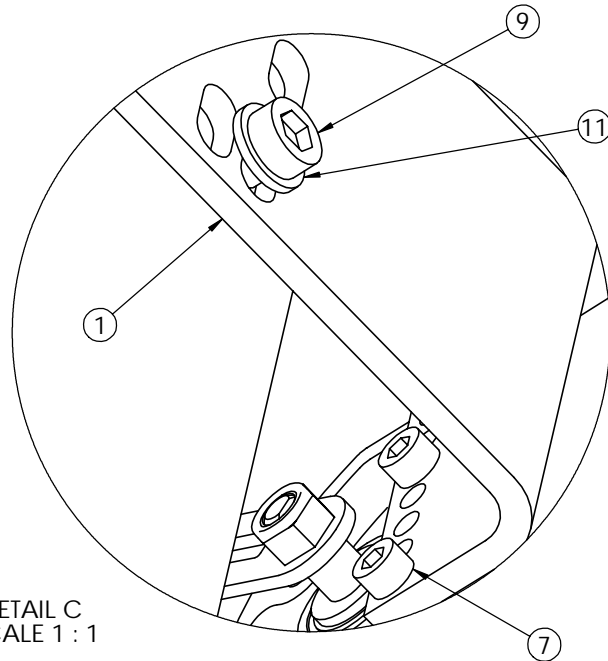


DETAIL C  
SCALE 1 : 1



**Note!!**

This mounting kit should not be used when mounting "live loading package" or "side proximity switches".

This mounting kit is defined for stroke angle  $\pm 45$  degrees.

ITEM NO.	QTY.	PART NUMBER	Description
1	1	40611	Bracket on Valtek actuator
2	1	40614	Bracket on Stem Clamp
3	1	30632	Carrier
4	1	-	RB 6.4x12x1.6 A2/A4
5	1	-	M6M M6 A2/A4
6	1	D2-75	Lever arm, extra long
7	2	-	MC6S M6x14 A2/A4
8	2	-	UC6S 5/16"UNCx13 A2/A4
9	2	-	UC6S 3/8"UNCx19 A2/A4
10	2	-	RB 8.4x16x1.6 A2/A4
11	2	-	RB 10x18x2 A2/A4

UNLESS OTHERWISE SPECIFIED: DIMENSIONS ARE IN MILLIMETERS SURFACE FINISH: TOLERANCES: LINEAR: ANGULAR:		FINISH:	DEBUR AND BREAK SHARP EDGES	DO NOT SCALE DRAWING	REVISION
DRAWN	NAME	SIGNATURE	DATE	TITLE: <b>Valtek kit 1 Extra long arm</b>	
CHK'D	KBM		040824		
APP'VD					
MFG					
Q.A				DWG NO. <b>40613XL</b>	A3
			WEIGHT:	SCALE:1:10	SHEET 1 OF 2

Comt	Actuator	Stroke	Std/Hwl**	Kit
1	25sqin, Spud 2"	1/2"	Std	40613S
2	25sqin, Spud 2"	3/4"	Std	40613S
3	25sqin, Spud 2"	1"	Std	40613S
4	25sqin, Spud 2"	1 1/2"	Std	40613S
5	25sqin, Spud 2"	1/2"	Hwl	40613S
6	25sqin, Spud 2"	3/4"	Hwl	40613S
7	25sqin, Spud 2"	1"	Hwl	40613S
8	25sqin, Spud 2"	1 1/2"	Hwl	40613S
9*	50sqin, Spud 2"	1/2"	Std	40613S
10*	50sqin, Spud 2"	3/4"	Std	40613S
11*	50sqin, Spud 2"	1"	Std	40613S
12*	50sqin, Spud 2"	1 1/2"	Std	40613S
13	50sqin, Spud 2"	1/2"	Hwl	40613S
14	50sqin, Spud 2"	3/4"	Hwl	40613S
15	50sqin, Spud 2"	1"	Hwl	40613S
16	50sqin, Spud 2"	1 1/2"	Hwl	40613S
17	50sqin, Spud 2.62"	1"	Std	40613L
18	50sqin, Spud 2.62"	1 1/2"	Std	40613L
19	50sqin, Spud 2.62"	2"	Std	40613L
20	50sqin, Spud 2.62"	2 1/2"	Std	40613L
21	50sqin, Spud 2.62"	3"	Std	40613L
22	50sqin, Spud 2.62"	1"	Hwl	40613L
23	50sqin, Spud 2.62"	1 1/2"	Hwl	40613L
24	50sqin, Spud 2.62"	2"	Hwl	40613L
25	50sqin, Spud 2.62"	2 1/2"	Hwl	40613L
26	50sqin, Spud 2.62"	3"	Hwl	40613L
27	100&200sqin, Spud 2.62"	1 1/2"	Std	40613L
28	100&200sqin, Spud 2.62"	2"	Std	40613L
29	100&200sqin, Spud 2.62"	2 1/2"	Std	40613L
30	100&200sqin, Spud 2.62"	3"	Std	40613L
31	100&200sqin, Spud 2.62"	4"	Std	40613L
32	100&200sqin, Spud 2.62"	1 1/2"	Hwl	40613L
33	100&200sqin, Spud 2.62"	2"	Hwl	40613L
34	100&200sqin, Spud 2.62"	2 1/2"	Hwl	40613L
35	100&200sqin, Spud 2.62"	3"	Hwl	40613L
36	100&200sqin, Spud 2.62"	4"	Hwl	40613L
37	100&200sqin, Spud 2.88"	1 1/2"	Std	40613L
38	100&200sqin, Spud 2.88"	2"	Std	40613L
39	100&200sqin, Spud 2.88"	2 1/2"	Std	40613L
40	100&200sqin, Spud 2.88"	3"	Std	40613L
41	100&200sqin, Spud 2.88"	4"	Std	40613L
42	100&200sqin, Spud 2.88"	1 1/2"	Hwl	40613L
43	100&200sqin, Spud 2.88"	2"	Hwl	40613L
44	100&200sqin, Spud 2.88"	2 1/2"	Hwl	40613L
45	100&200sqin, Spud 2.88"	3"	Hwl	40613L
46	100&200sqin, Spud 2.88"	4"	Hwl	40613L
47	100&200sqin, Spud 3.38&4.75"	1 1/2"	Std	40613L
48	100&200sqin, Spud 3.38&4.75"	2"	Std	40613L
49	100&200sqin, Spud 3.38&4.75"	3"	Std	40613L
50	100&200sqin, Spud 3.38&4.75"	4"	Std	40613L
51	100&200sqin, Spud 3.38&4.75"	1 1/2"	Hwl	40613L
52	100&200sqin, Spud 3.38&4.75"	2"	Hwl	40613L
53	100&200sqin, Spud 3.38&4.75"	3"	Hwl	40613L
54	100&200sqin, Spud 3.38&4.75"	4"	Hwl	40613L
55	100&200sqin, Spud 3.38&4.75"	5"	Std & Hwl	40613XL
56	100&200sqin, Spud 3.38&4.75"	6"	Std & Hwl	40613XL
57	100&200sqin, Spud 3.38&4.75"	7"	Std & Hwl	40613XL
58	100&200sqin, Spud 3.38&4.75"	8"	Std & Hwl	40613XL
59	300&500&600sqin, Spud 3.38&4.75"	1 1/2"	Std	40613L
60	300&500&600sqin, Spud 3.38&4.75"	2"	Std	40613L
61	300&500&600sqin, Spud 3.38&4.75"	3"	Std	40613L
62	300&500&600sqin, Spud 3.38&4.75"	4"	Std	40613L
63	300&500&600sqin, Spud 3.38&4.75"	5"	Std	40613XL
64	300&500&600sqin, Spud 3.38&4.75"	6"	Std	40613XL
65	300&500&600sqin, Spud 3.38&4.75"	7"	Std	40613XL
66	300&500&600sqin, Spud 3.38&4.75"	8"	Std	40613XL
67	400sqin, Spud 3.38&4.75"	1 1/2"	Std	40613L
68	400sqin, Spud 3.38&4.75"	2"	Std	40613L
69	400sqin, Spud 3.38&4.75"	3"	Std	40613L
70	400sqin, Spud 3.38&4.75"	4"	Std	40613L
71	400sqin, Spud 3.38&4.75"	5"	Std	40613XL
72	400sqin, Spud 3.38&4.75"	6"	Std	40613XL
73	400sqin, Spud 3.38&4.75"	7"	Std	40613XL
74	400sqin, Spud 3.38&4.75"	8"	Std	40613XL

Comb:1,2,3,4,5,6,7,8,9,10,11,12,13,14,15,16,17,18,19,20,21,22,23,24,25,26,27,28,29,30,31,32,33,34,35,36,37,38,39,40,41,42,43,44,45,46

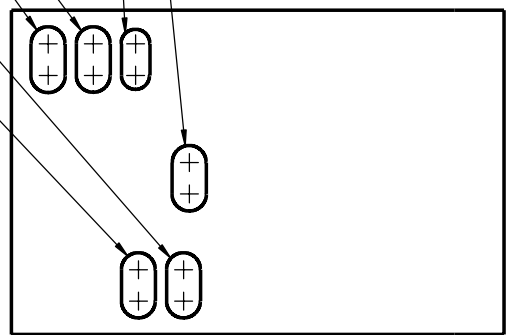
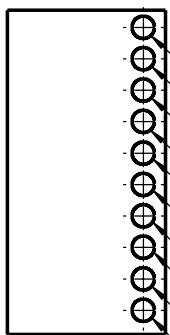
Comb:1,2,3,4,5,6,7,8,9,10,11,12,13,14,15,16,17,18,19,20,21,22,23,24,25,26,27,28,29,30,31,32,33,34,35,36

Comb:37,38,39,40,41,42,43,44,45,46,51,52,53,54

Comb:47,48,49,50,55,56,57,58,59,60,61,62,63,64,65,66,67,68,69,70,71,72,73,74

Comb:51,52,53,54,55,56,57,58,59,60,61,62,63,64,65,66,71,72,73,74

Comb:47,48,49,50,67,68,69,70



Comb:4,8,16,21,26,36,41,46

Comb:1,2,3,5,6,7,14,15,20,25

Comb:9,10,17,22,31,33,38,43,57,61,65,69,73

Comb:4,8,16,21,26,29,30,32,36,37,41,42,46,49,53

Comb:1,2,3,5,6,7,14,15,20,25,27,28,47,48,51,52,55,56,59,60,63,64,67,68,71,72

Comb:11,12,13,18,19,23,24,34,35,39,40,44,45,50,54,58,62,66,70,74

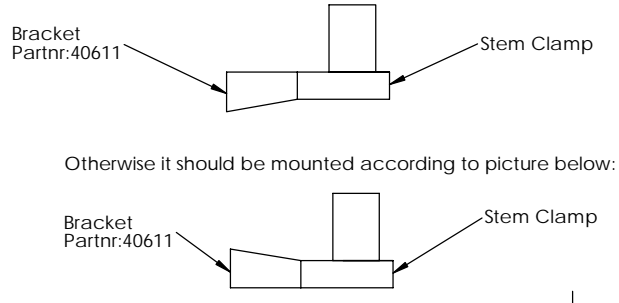
Comb:9,10,17,22,31,33,38,43,57,61,65,69,73

Comb:29,30,32,37,42,49,53

Comb:27,28,47,48,51,52,55,56,59,60,63,64,67,68,71,72

\*\* ) Std=Standard actuator, Hwl=Handwheel actuator

\* ) When mounting bracket on Stem Clamp combinations marked with an asterisk should be mounted according to picture below:



UNLESS OTHERWISE SPECIFIED: DIMENSIONS ARE IN MILLIMETERS SURFACE FINISH: TOLERANCES: LINEAR: ANGULAR:	FINISH:		DEBUR AND BREAK SHARP EDGES		DO NOT SCALE DRAWING	REVISION
	NAME	SIGNATURE	DATE		TITLE: <b>Hole Pattern Valtek</b>	
DRAWN KBM			040827		DWG NO. <b>40613XL</b>	A3
CHK'D						
APP'VD						
MFG						
Q.A				MATERIAL:		
				WEIGHT: 0.00	SCALE: 1:1	SHEET 2 OF 2