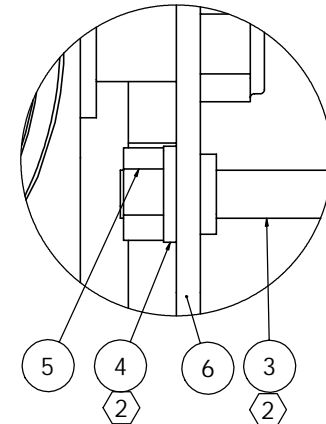
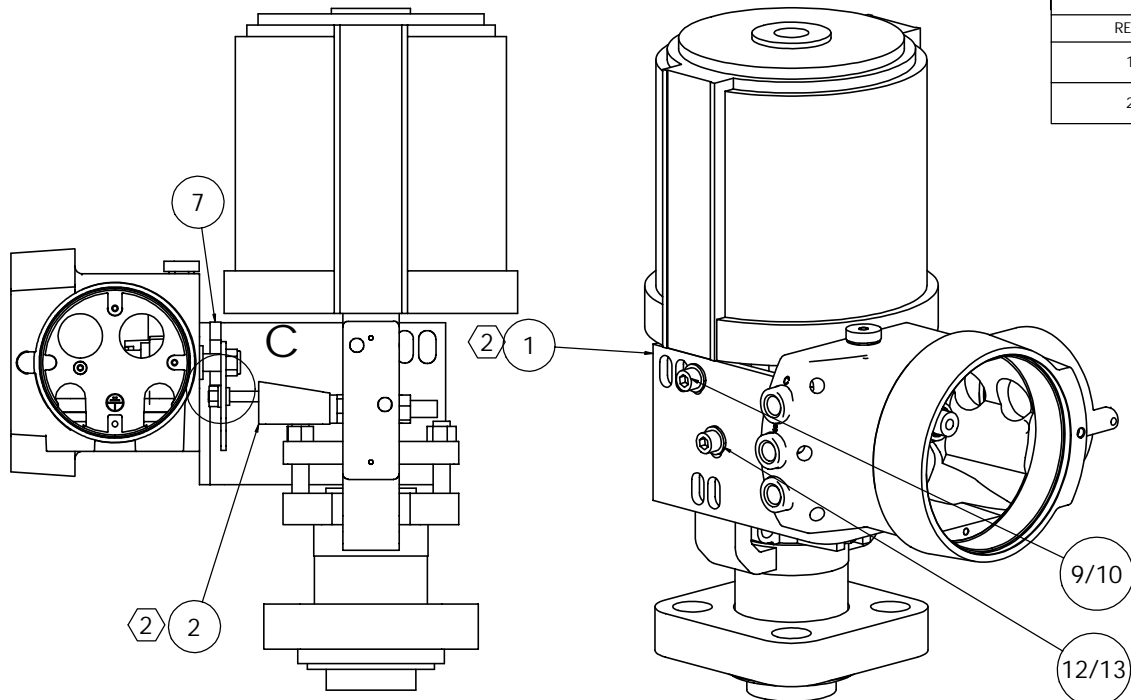


Revision table			
REV.	DESCRIPTION	DATE	APPROVED
1	Balloons indicating spindleadapter and vent plug removed	040819	KBM
2	40611 and 40612 upgraded. 30167 replaced by 30632. Washer added. Sheet added containing Hole pattern.	040901	KBM



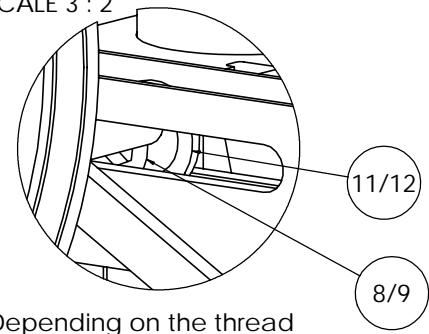
DETAIL C
SCALE 3 : 2

Note !
This mounting kit should not be used when mounting "live loading package" or "side proximity switches".

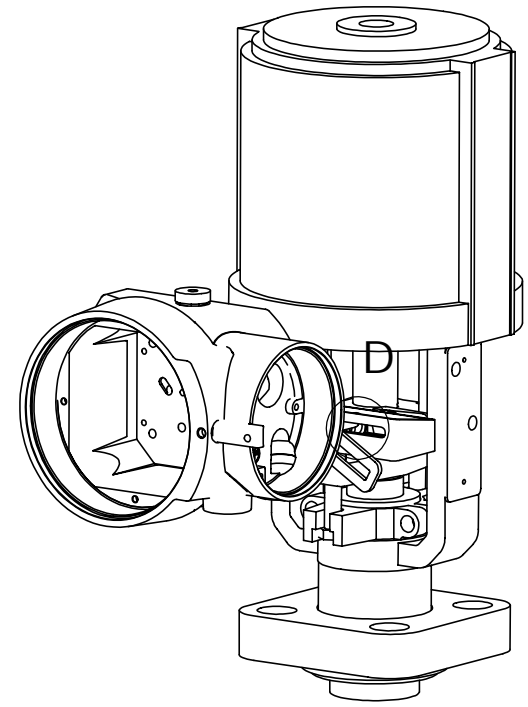
This mounting kit is defined for stroke angle ± 45 degrees.

Depending on the thread on the yoke the screws to mount the bracket are item 9 or 10 and the washers are item 12 or 13.

DETAIL D
SCALE 3 : 2



Depending on the thread on the Stem Clamp the screws to mount the bracket are item 8 or 9 and the washers are item 11 or 12.

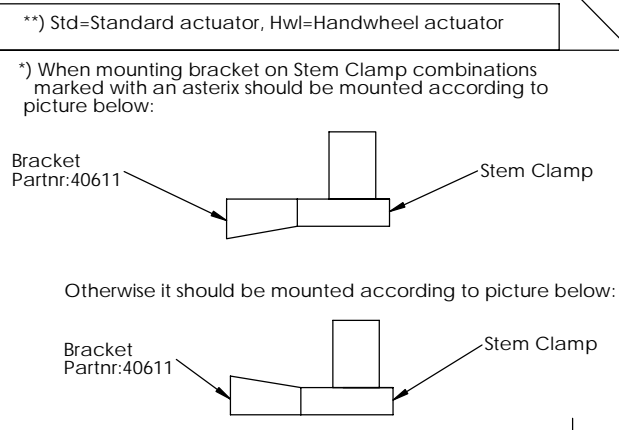
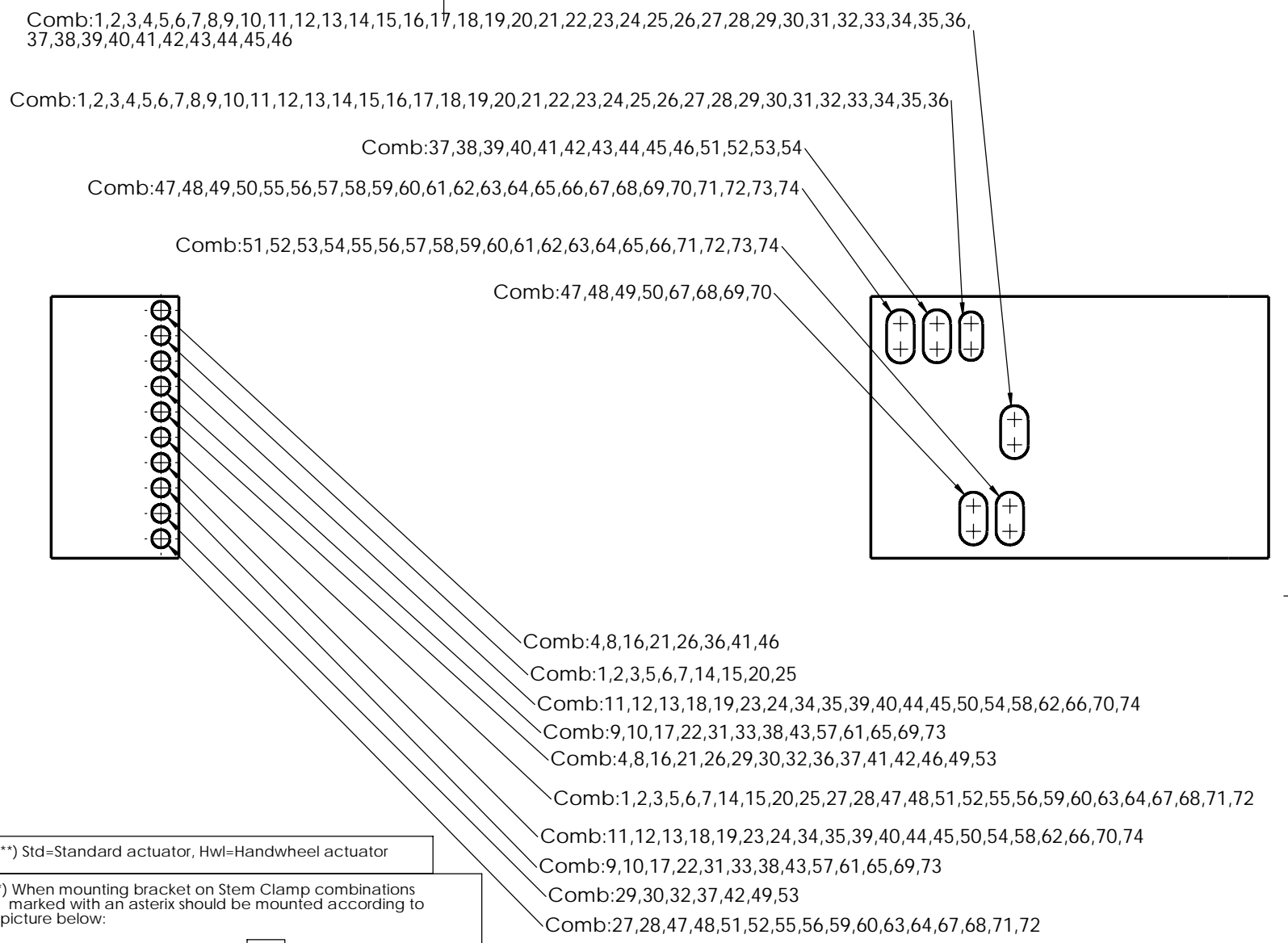


ITEM NO.	QTY.	PART NUMBER	Description
1	1	40611	Bracket on Valtek actuator
2	1	40612	Bracket on Stemclamp
3	1	30632	Carrier
4	1	-	RB 6.4x12x1.6 A2/A4
5	1	-	M6M M6 A2/A4
6	1	D2-29	Lever arm, long
7	2	-	MC6S M6x14 A2/A4
8	2	-	UC6S 1/4"UNCx13 A2/A4
9	4	-	UC6S 5/16"UNCx13 A2/A4
10	2	-	UC6S 3/8"UNCx19 A2/A4
11	2	-	RB 6.7x14x1.5 A2/A4
12	4	-	RB 8.4x16x1.6 A2/A4
13	2	-	RB 10x18x2 A2 or A4

UNLESS OTHERWISE SPECIFIED: DIMENSIONS ARE IN MILLIMETERS
 FINISH: SURFACE FINISH: TOLERANCES: LINEAR: ANGULAR:
 FINISH: DEBUR AND BREAK SHARP EDGES
 DO NOT SCALE DRAWING REVISION 2

NAME	SIGNATURE	DATE	TITLE:
KBM		040817	Valtek kit 1 Long arm
CHK'D			
APPV'D			
MFG			
Q.A			
		MATERIAL:	DWG NO. 40613L
		WEIGHT:	A3
		SCALE:1:5	SHEET 1 OF 2

Comb	Actuator	Stroke	Std/Hwl**	Kit
1	25sqin, Spud 2"	1/2"	Std	40613S
2	25sqin, Spud 2"	3/4"	Std	40613S
3	25sqin, Spud 2"	1"	Std	40613S
4	25sqin, Spud 2"	1 1/2"	Std	40613S
5	25sqin, Spud 2"	1/2"	Hwl	40613S
6	25sqin, Spud 2"	3/4"	Hwl	40613S
7	25sqin, Spud 2"	1"	Hwl	40613S
8	25sqin, Spud 2"	1 1/2"	Hwl	40613S
9*	50sqin, Spud 2"	1/2"	Std	40613S
10*	50sqin, Spud 2"	3/4"	Std	40613S
11*	50sqin, Spud 2"	1"	Std	40613S
12*	50sqin, Spud 2"	1 1/2"	Std	40613S
13	50sqin, Spud 2"	1/2"	Hwl	40613S
14	50sqin, Spud 2"	3/4"	Hwl	40613S
15	50sqin, Spud 2"	1"	Hwl	40613S
16	50sqin, Spud 2"	1 1/2"	Hwl	40613S
17	50sqin, Spud 2.62"	1"	Std	40613L
18	50sqin, Spud 2.62"	1 1/2"	Std	40613L
19	50sqin, Spud 2.62"	2"	Std	40613L
20	50sqin, Spud 2.62"	2 1/2"	Std	40613L
21	50sqin, Spud 2.62"	3"	Std	40613L
22	50sqin, Spud 2.62"	1"	Hwl	40613L
23	50sqin, Spud 2.62"	1 1/2"	Hwl	40613L
24	50sqin, Spud 2.62"	2"	Hwl	40613L
25	50sqin, Spud 2.62"	2 1/2"	Hwl	40613L
26	50sqin, Spud 2.62"	3"	Hwl	40613L
27	100&200sqin, Spud 2.62"	1 1/2"	Std	40613L
28	100&200sqin, Spud 2.62"	2"	Std	40613L
29	100&200sqin, Spud 2.62"	2 1/2"	Std	40613L
30	100&200sqin, Spud 2.62"	3"	Std	40613L
31	100&200sqin, Spud 2.62"	4"	Std	40613L
32	100&200sqin, Spud 2.62"	1 1/2"	Hwl	40613L
33	100&200sqin, Spud 2.62"	2"	Hwl	40613L
34	100&200sqin, Spud 2.62"	2 1/2"	Hwl	40613L
35	100&200sqin, Spud 2.62"	3"	Hwl	40613L
36	100&200sqin, Spud 2.62"	4"	Hwl	40613L
37	100&200sqin, Spud 2.88"	1 1/2"	Std	40613L
38	100&200sqin, Spud 2.88"	2"	Std	40613L
39	100&200sqin, Spud 2.88"	2 1/2"	Std	40613L
40	100&200sqin, Spud 2.88"	3"	Std	40613L
41	100&200sqin, Spud 2.88"	4"	Std	40613L
42	100&200sqin, Spud 2.88"	1 1/2"	Hwl	40613L
43	100&200sqin, Spud 2.88"	2"	Hwl	40613L
44	100&200sqin, Spud 2.88"	2 1/2"	Hwl	40613L
45	100&200sqin, Spud 2.88"	3"	Hwl	40613L
46	100&200sqin, Spud 2.88"	4"	Hwl	40613L
47	100&200sqin, Spud 3.38&4.75"	1 1/2"	Std	40613L
48	100&200sqin, Spud 3.38&4.75"	2"	Std	40613L
49	100&200sqin, Spud 3.38&4.75"	3"	Std	40613L
50	100&200sqin, Spud 3.38&4.75"	4"	Std	40613L
51	100&200sqin, Spud 3.38&4.75"	1 1/2"	Hwl	40613L
52	100&200sqin, Spud 3.38&4.75"	2"	Hwl	40613L
53	100&200sqin, Spud 3.38&4.75"	3"	Hwl	40613L
54	100&200sqin, Spud 3.38&4.75"	4"	Hwl	40613L
55	100&200sqin, Spud 3.38&4.75"	5"	Std & Hwl	40613XL
56	100&200sqin, Spud 3.38&4.75"	6"	Std & Hwl	40613XL
57	100&200sqin, Spud 3.38&4.75"	7"	Std & Hwl	40613XL
58	100&200sqin, Spud 3.38&4.75"	8"	Std & Hwl	40613XL
59	300&500&600sqin, Spud 3.38&4.75"	1 1/2"	Std	40613L
60	300&500&600sqin, Spud 3.38&4.75"	2"	Std	40613L
61	300&500&600sqin, Spud 3.38&4.75"	3"	Std	40613L
62	300&500&600sqin, Spud 3.38&4.75"	4"	Std	40613L
63	300&500&600sqin, Spud 3.38&4.75"	5"	Std	40613XL
64	300&500&600sqin, Spud 3.38&4.75"	6"	Std	40613XL
65	300&500&600sqin, Spud 3.38&4.75"	7"	Std	40613XL
66	300&500&600sqin, Spud 3.38&4.75"	8"	Std	40613XL
67	400sqin, Spud 3.38&4.75"	1 1/2"	Std	40613L
68	400sqin, Spud 3.38&4.75"	2"	Std	40613L
69	400sqin, Spud 3.38&4.75"	3"	Std	40613L
70	400sqin, Spud 3.38&4.75"	4"	Std	40613L
71	400sqin, Spud 3.38&4.75"	5"	Std	40613XL
72	400sqin, Spud 3.38&4.75"	6"	Std	40613XL
73	400sqin, Spud 3.38&4.75"	7"	Std	40613XL
74	400sqin, Spud 3.38&4.75"	8"	Std	40613XL



UNLESS OTHERWISE SPECIFIED: DIMENSIONS ARE IN MILLIMETERS		FINISH:		DEBUR AND BREAK SHARP EDGES		DO NOT SCALE DRAWING		REVISION	
SURFACE FINISH: TOLERANCES: LINEAR: ANGULAR:									
DRAWN	NAME	SIGNATURE	DATE			TITLE:			
CHK'D	KBM		040827			Hole Pattern Valtek			
APP'VD									
MFG									
Q.A				MATERIAL:		DWG NO.		A3	
						40613L			
				WEIGHT: 0.00		SCALE:1:1		SHEET 2 OF 2	